


Part number

CX 01 JM



Brief description:

male insert, housing for RJ45 connectors, (4 poles (10A max - 250V)), 4kV, 3, plug inserts for 1 RJ45 male connector and for 4 10A (CDM) male contacts, 2 modules, modular units series MIXO

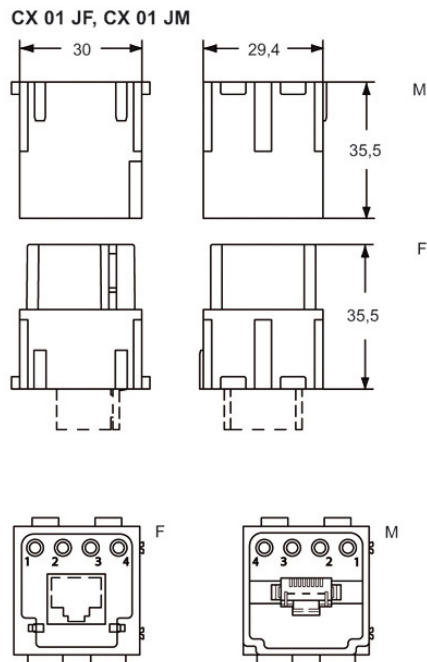
Product description		Approvals / Standards	
Model	male insert	Reference standard	EN 61984 (2001-11)
Version	housing for RJ45 connectors	Quality mark	 EAC
Product type	plug inserts for 1 RJ45 male connector and for 4 10A (CDM) male contacts	Conformity	CQC, CE
Family	MIXO series, customizable inserts	General ordering information	
Size	2 modules	EAN13 code	8015747166010
Auxiliary poles	4 poles (10A max - 250V)	Tariff number	85369095
Technical data		Packaging Information	
Rated impulse withstand voltage	4kV	Packaging length	145,00 mm
Pollution degree	3	Packaging height	105,00 mm
Operating temperature range (min, max)	-40°C ... +120°C	Packaging width	350,00 mm
IP degree of protection	IP20 without enclosure; IP65/IP66/IP67/IP68 with enclosure	Packaging weight	2,00 kg
Further technical details		Packaging volume	5,33 dm ³
Characteristics according to EN 61984	10A 250V 4kV 3	Packaging description	Carton box
Insulation resistance	≥ 10 GΩ	Packaging quantity	60 Pcs
Rated voltage according to UL/CSA	600V	Packaging EAN code	8015747221030
UL 94 flammability rating	V-0	Sub-packaging length	35,00 mm
Weight	13,00 g	Sub-packaging height	40,00 mm
		Sub-packaging width	155,00 mm
		Sub-packaging weight	0,17 kg
		Sub-packaging volume	0,22 dm ³
		Sub-packaging description	Carton
		Sub-packaging quantity	5 Pcs
		Sub-packaging EAN barcode	8015747166058

Part number

CX 01 JM



Catalogue drawings



Notes

CX 01 J inserts:

- characteristics according to EN 61984:
- 4 Auxiliary contacts: (10A 250V 4kV 3)

the modular inserts must be installed in suitable frames which in turn are installed in traditional housings or COB panel support
